

GAS Injection

LPG Fuel Injectors
CNG Fuel Injectors
Fuel Filters



AUTOMOTIVE DIVISION

MATRIX
mechatronics

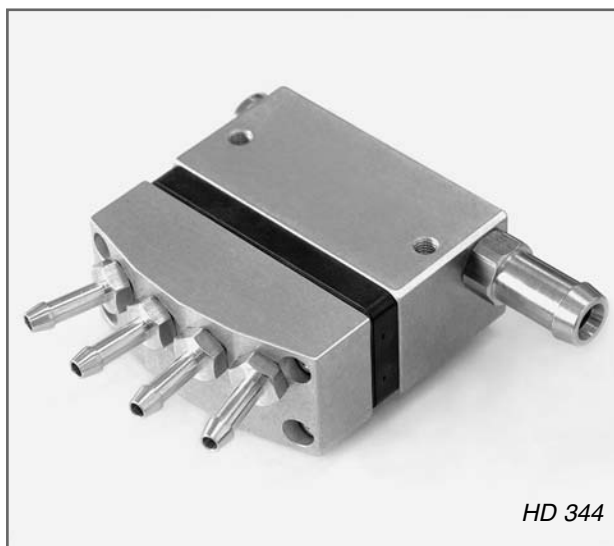
HD 300 - HD 500 SERIES. New injectors for LPG and CNG

In the alternative fuel injection industry, Matrix offers the most advanced and innovative solutions. The new injectors from series HD 300 offer top rank performance levels and are especially suited for the most demanding applications and for OEM installations. They are entirely compatible with injectors from the XJ series, with which they may share the same driver boards. Featuring extremely compact dimensions which ease installation in the most jammed environments, this new series of injectors has been sanctioned for functioning under extremely enduring temperature ranges (up to -40°C) and offers high compatibility with oily fluids which may be present in some fuels.

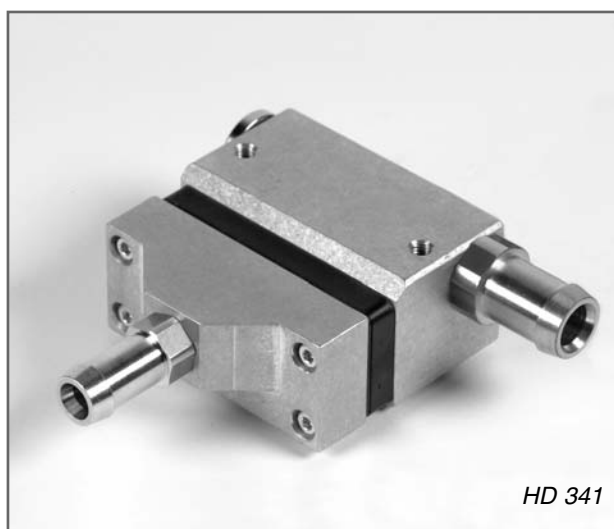
Under standard working conditions, the life cycle is of over 500 MI cycles, which is largely beyond the normal life of an automobile. During all its lifetime Matrix technology ensures constantly elevated efficiency with extraordinary repeatability.

In LPG field applications, HD 300 injectors ought to be equipped with XF 301 filters with interchangeable cartridges.

In CNG field applications HD 300 injectors may be equipped with XF 301 or XF 103 filters.



HD 344



HD 341

Model	Controls	Outlets	Flowrate (1)	T on (2)	T off (3)
HD 322	2	2	170	0,5 ms	0,5 ms
HD 341	4	1	340	0,5 ms	0,5 ms
HD 344	4	4	85	0,5 ms	0,5 ms
HD 544	4	4	170	0,5 ms	0,5 ms
HD 566	6	6	85	0,5 ms	0,5 ms

(1) SIm @ 1 bar (2) T opening time (3) T closing time

XF 301 FILTERS. New series of filters with interchangeable cartridge



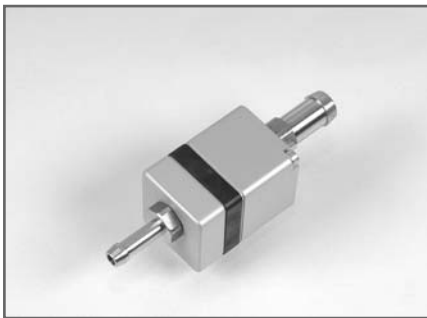
The new XF 301 series of filters represents the ideal complements to Matrix injectors. Tested and sanctioned for functioning approval under temperature conditions up to -40°C, it grants easy and safe replacement of inner cartridge and is available both in cellulose fibre and in coalescence filter versions.

XF 301 series feature a wide array of versions distinguishable by the different arrangements of the inlet and outlet fittings.

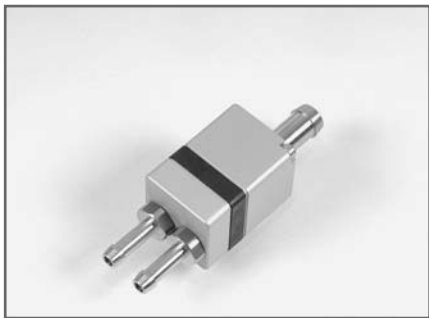
Manufactured in high resistance technopolymer, this series is complementary to the series XF 103 models.

MJ - XJ SERIES SINGLE AND MULTI OUTLET INJECTORS FOR LPG AND CNG

Injector MJ 211 - MJ 221



Injector MJ 222



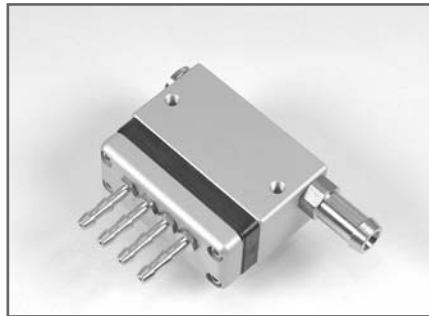
Injector XJ 311 - XJ 321



Injector XJ 322



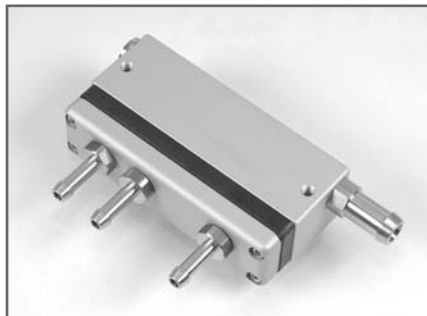
Injector XJ 344



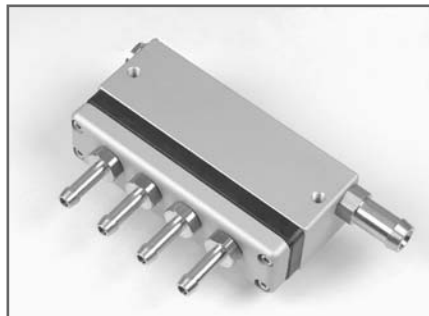
Injector XJ 522 - XJ 542



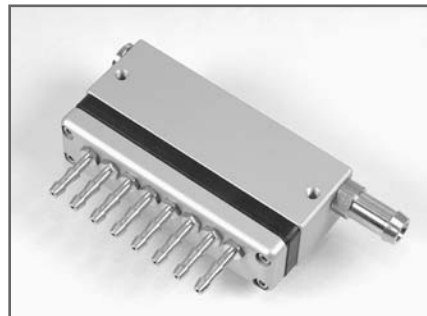
Injector XJ 533



Injector XJ 544 - XJ 584



Injector XJ 588



Gaseous fuel filter XF 103



Injector rail MJ



Pressure sensor jack



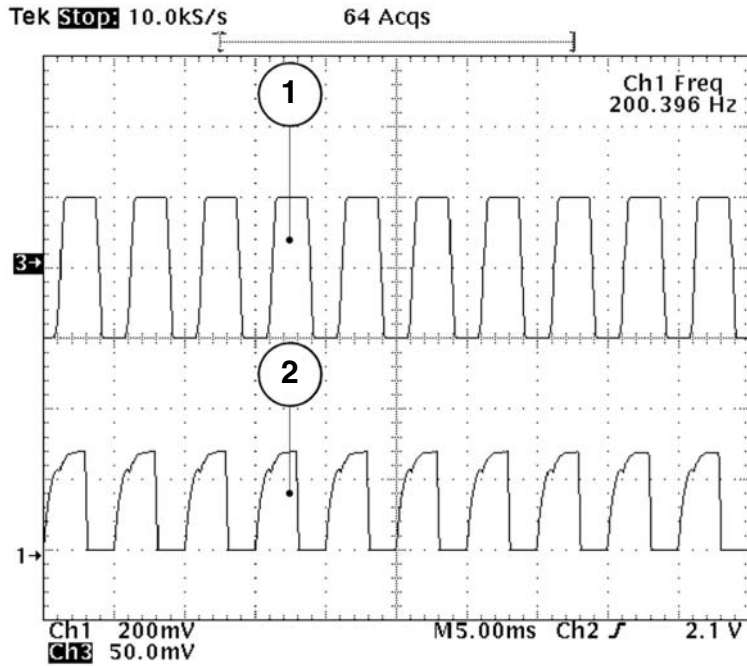
Gauged fittings



Temperature jack



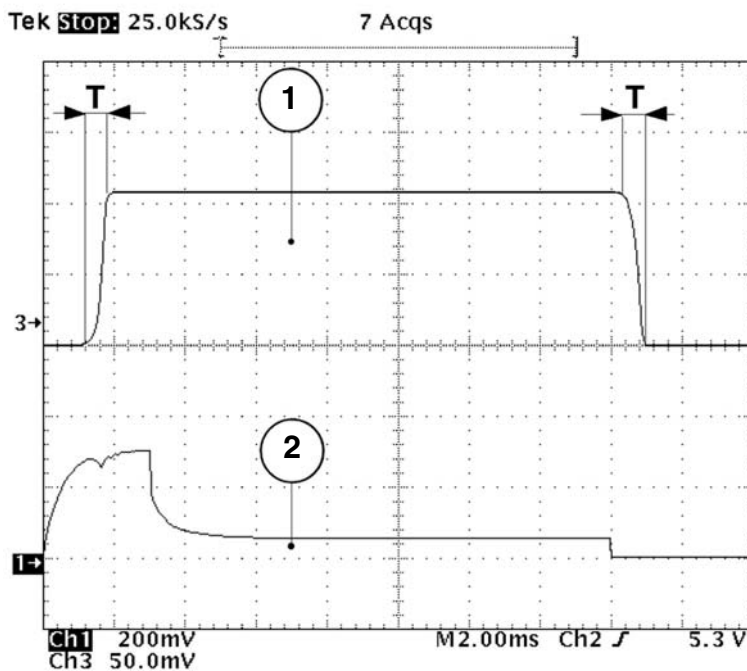
GAS INJECTORS HD - XJ SERIES. MATRIX TECHNOLOGY APPLIED TO ALTERNATIVE FUEL INJECTION



FREQUENCY. The maximum frequency reached by Matrix injectors express the top-notch performance levels and the wide range of applications that this technology has to offer.

This means extreme reliability, combined with new and innovative application possibilities in the gas injection industry that until today were unthinkable of. The graph illustrates the pressure wave in the outlet fitting when associated to a 200 Hz electronic control frequency.

REPEATABILITY AND PRECISION. The graph also shows the high level of precision and of repeatability guaranteed by Matrix injectors. Fluctuation of response times are lower than measurable levels; such values, due to a functional principle which is void of friction, remain constantly unaltered in all environment conditions featured by product specifications.



RESPONSE TIMES. The extremely reduced value of 0,5 ms (500 microseconds) is the norm for HD and XJ injectors no matter which version and relative flowrate is featured.

This ensures high quality performances and a simplification of the management software to which no corrections are required during the entire power curve even when applied to models with different flowrates.

LOW CONSUMPTION. The innovative functional principle that characterizes Matrix injectors allows a consistent energetic saving during functional phases. Typical current values during maintenance phases is of 0,5 Ampère (1,25 Watt) in XJ models, and of 0,6 Ampère (1,44 Watt) in HD models. The graph illustrates the current wave that after the speed-up signal establishes itself on a very low level.

1 Outlet pressure wave 2 Current wave T = Opening - Closing response time



MATRIX S.p.A. - Automotive Division
 C.so Vercelli n. 330, 10015 Ivrea (To) Italy
 Tel: +39 0125 615442
 Fax: +39 0125 615377
 matrix@matrix.to.it - www.matrix.to.it